

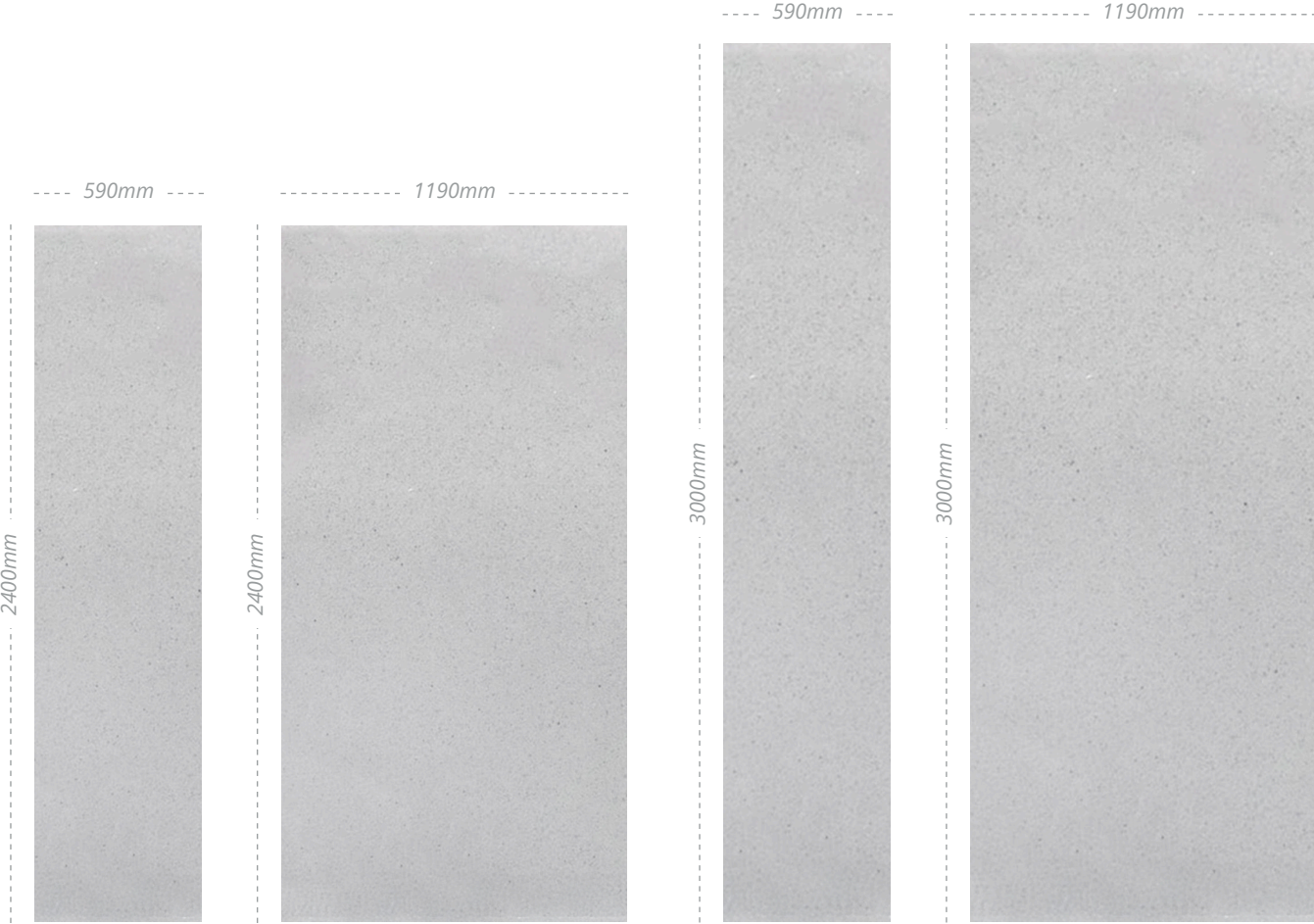


ShapeShell™-RC Facade Cladding

# Installation Guide

LRQA  
CERTIFIED  
ISO 9001

# ShapeShell™-RC Standard Panel Size



*More to Come*

Standard ShapeShell™ Façade Panel Railing and Attachment:

## Attachment System Features and Benefits

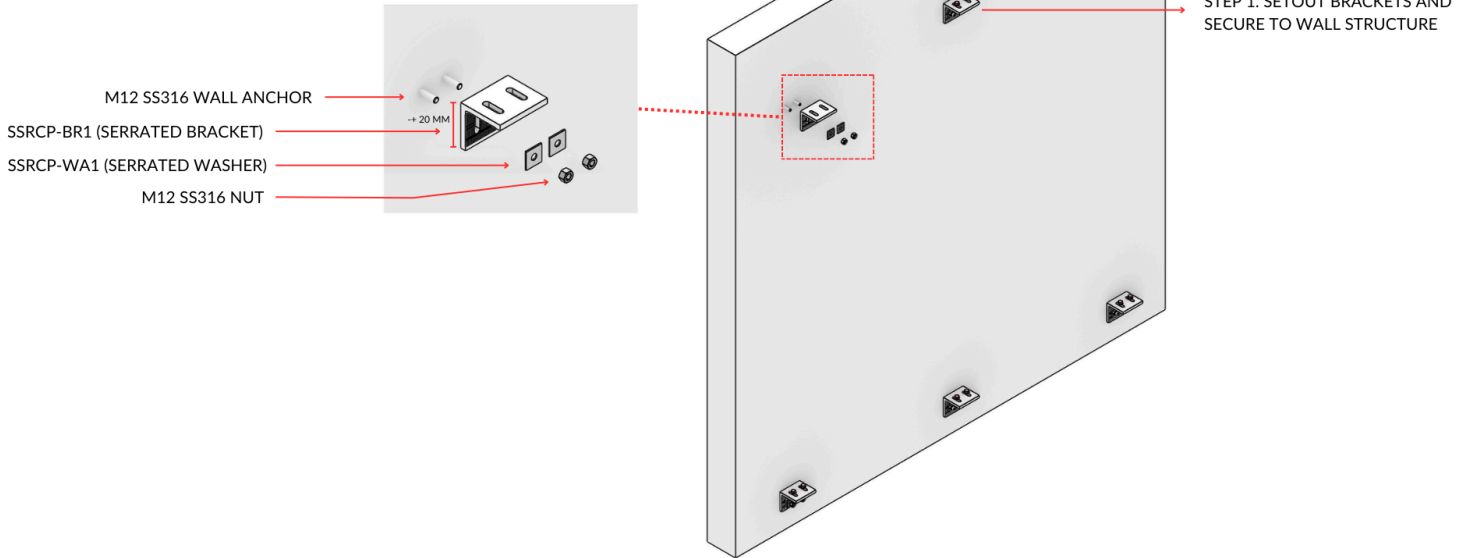
The ShapeShell™ Railing and Attachment System is engineered specifically for use with the Standard ShapeShell™ RC Façade Panel Range. Designed to simplify installation, ensure structural integrity, and enhance the visual appeal of facades, this package integrates precision-engineered components and high-quality materials to meet the demands of contemporary architectural projects. (Include this system is designed to simplify installation and panel handling, attachment system helps to ensure safe & simple handling of the panels.

- **Easy Adjustment:** The system offers up to  $\pm 20\text{mm}$  of on-site adjustability, allowing for easy alignment to accommodate building tolerances. This flexibility helps minimise installation errors and ensures consistent alignment across large façade installations.
- **Durability and Corrosion Resistance:** Manufactured from aluminium and Grade 316 (SS316) stainless steel, the attachments are highly corrosion-resistant, providing superior longevity even in challenging environments, such as coastal regions or high-pollution zones. This durability ensures a longer lifespan for the façade system, minimising ongoing maintenance requirements.
- **Effective Load Transfer:** The combination of deadload and windload brackets is specifically engineered to manage both vertical and lateral forces, ensuring consistent performance in varying conditions. Unlike typical NV3 bracket systems, which are not designed for the specific demands of GRC panels, this robust system is purpose-built to effectively support their weight, delivering dependable performance throughout the building's lifecycle.
- **Ease of Installation:** The adjustment capabilities and straightforward hook-on method allow for safe and efficient installation, significantly reducing both time and complexity.
- **Concealed Fixings:** Integral to the system, concealed fixings minimise the visual impact of structural components. This ensures the façade's architectural design remains the focal point, creating uninterrupted and seamless surfaces.

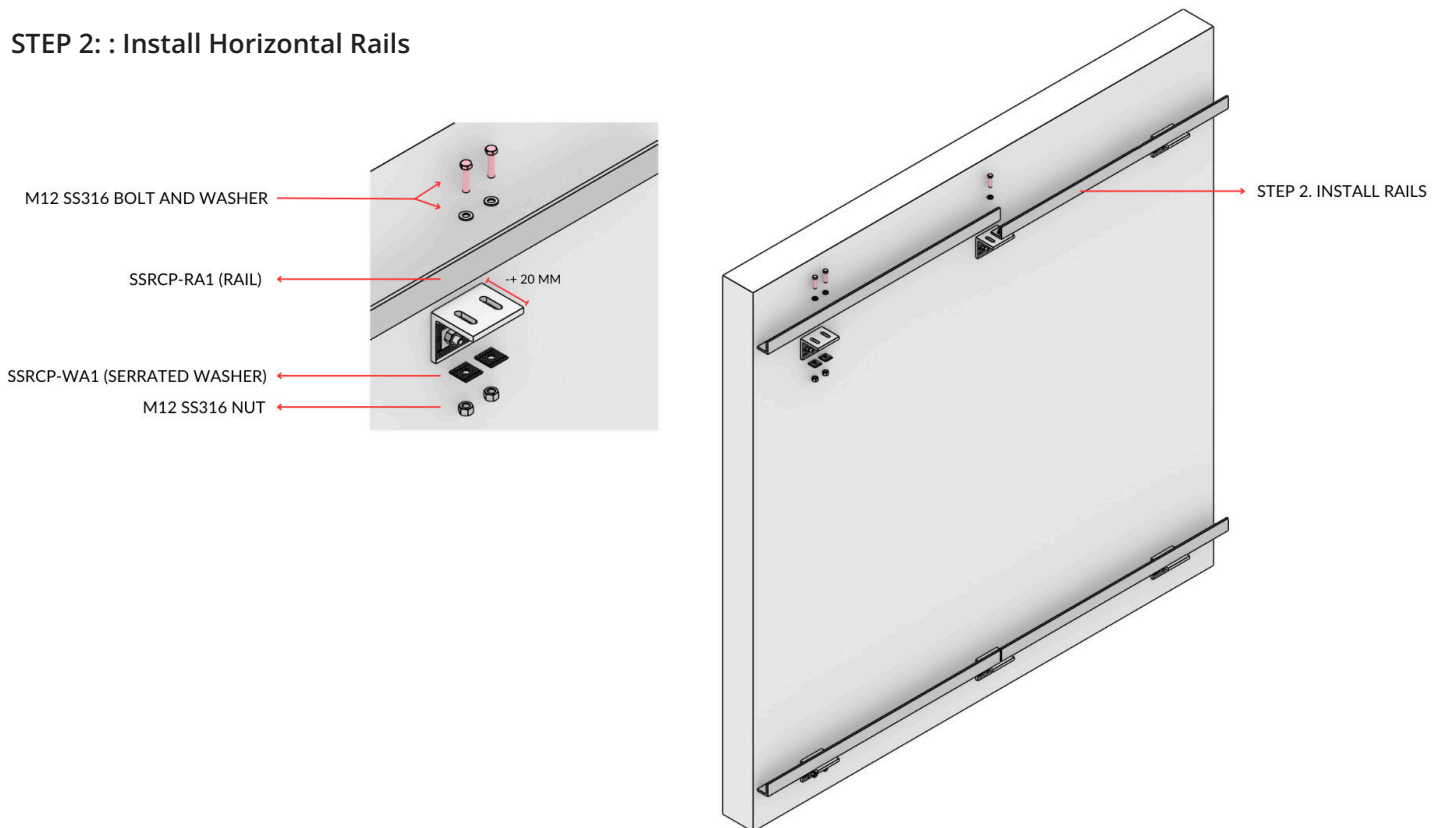


# Panel Installation Guideline

## STEP 1: Position & Install Wall Brackets

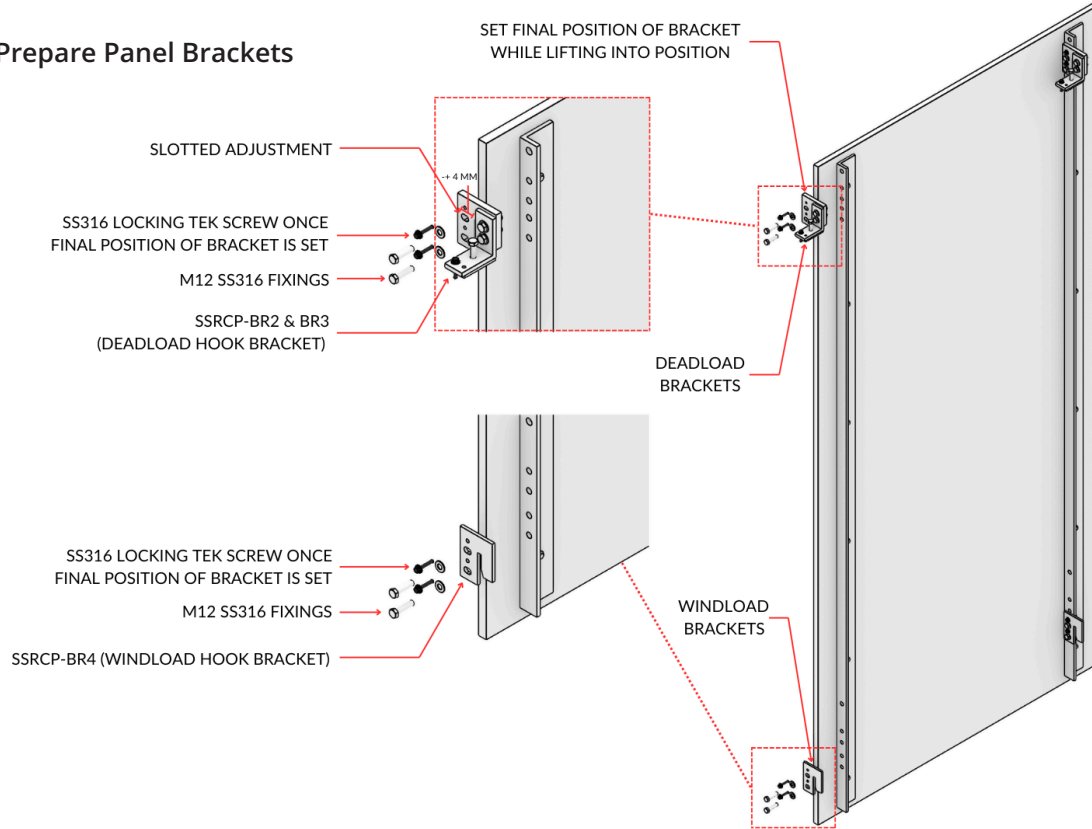


## STEP 2: : Install Horizontal Rails

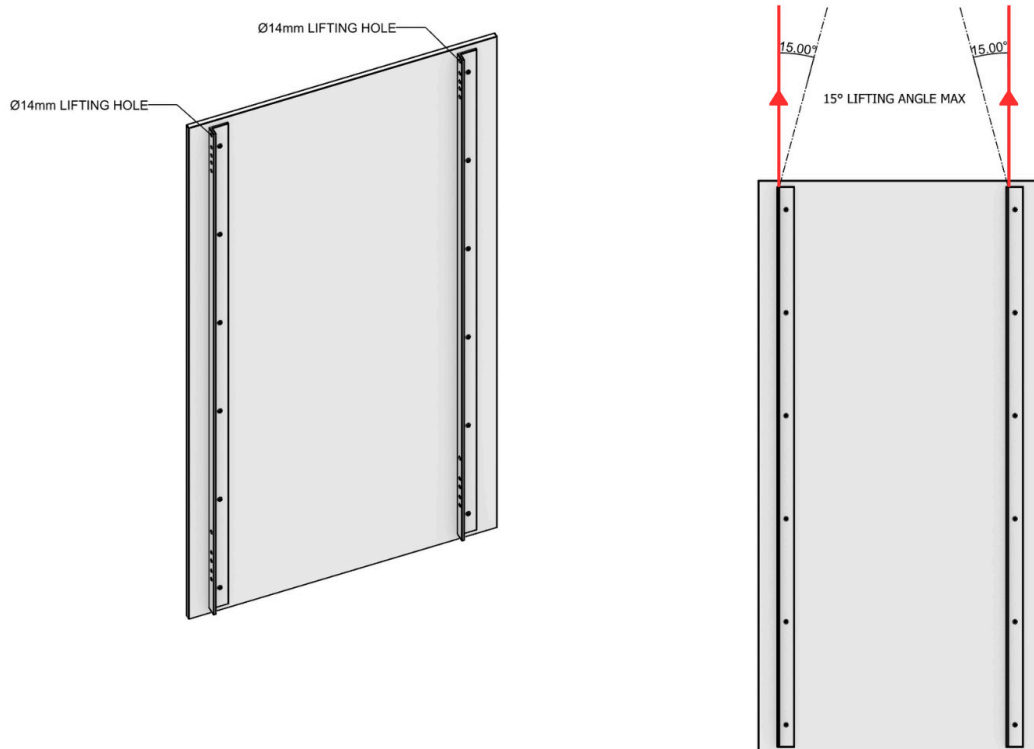




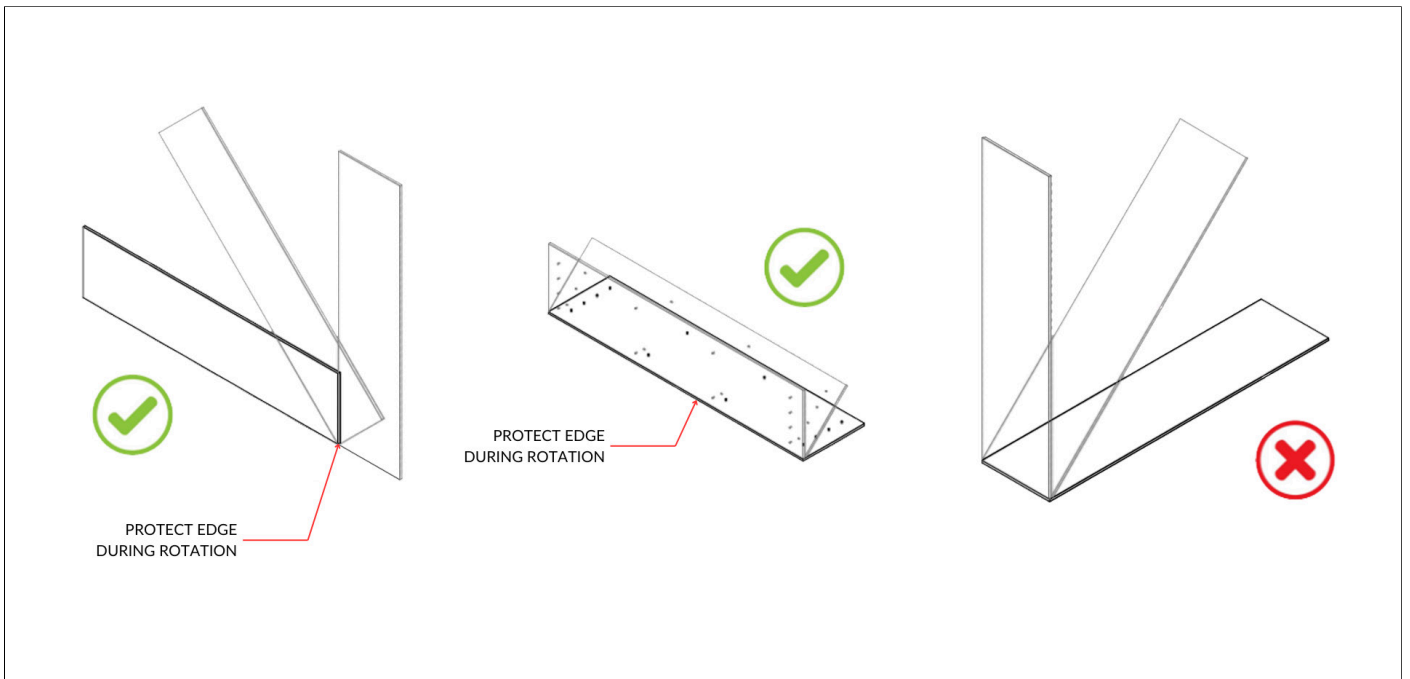
### STEP 3: Prepare Panel Brackets



### STEP 4a: Lifting The Panels

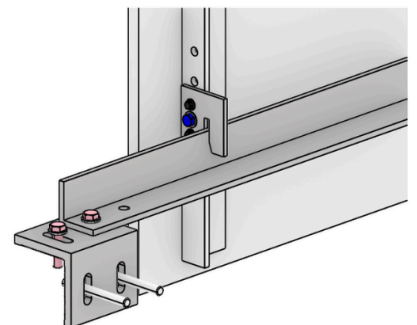
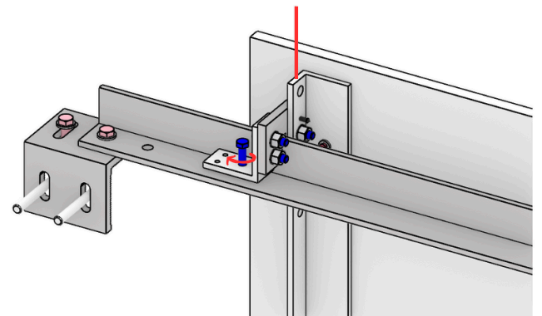
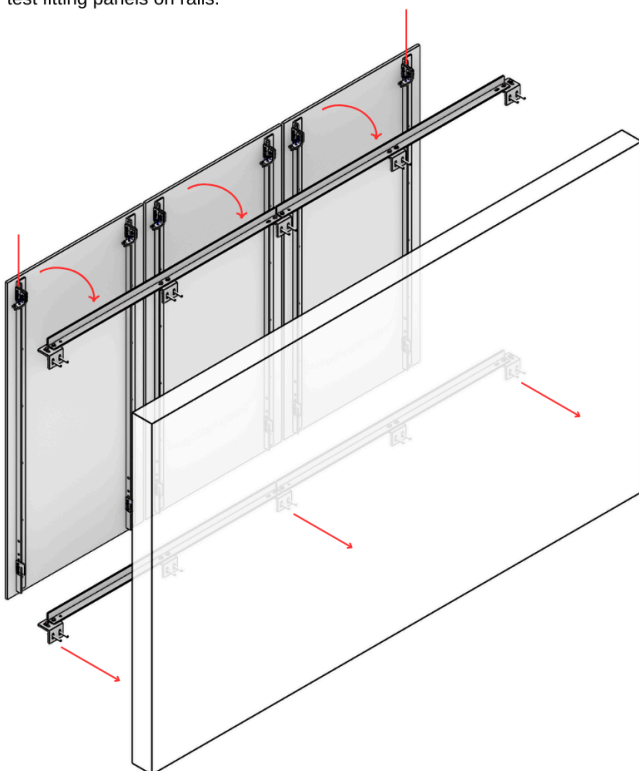


## STEP 4b: Safe Rotation & Panel Handling Guidelines

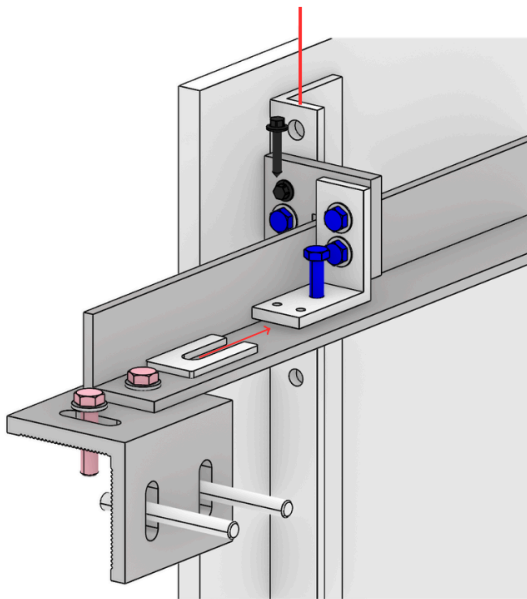


## STEP 5: Install Panels into Rails

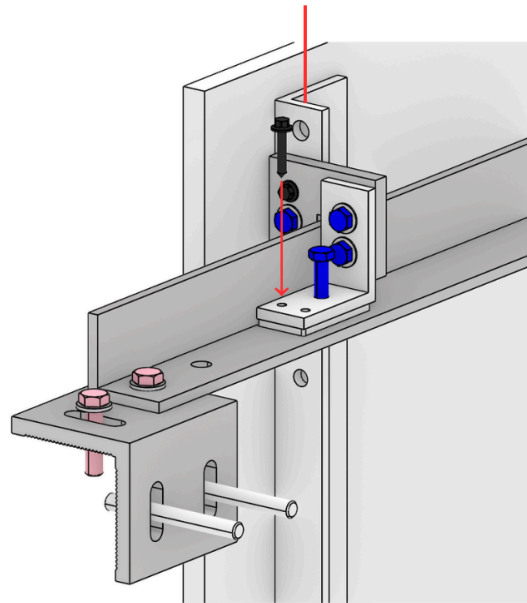
Panel Lifted into position. Tek screws are used to fix hook brackets to Aluminium panel rails after final adjustment. They can be installed before lifting the panel OR after test fitting panels on rails.



## STEP 6: Adjust heights and lock off panels

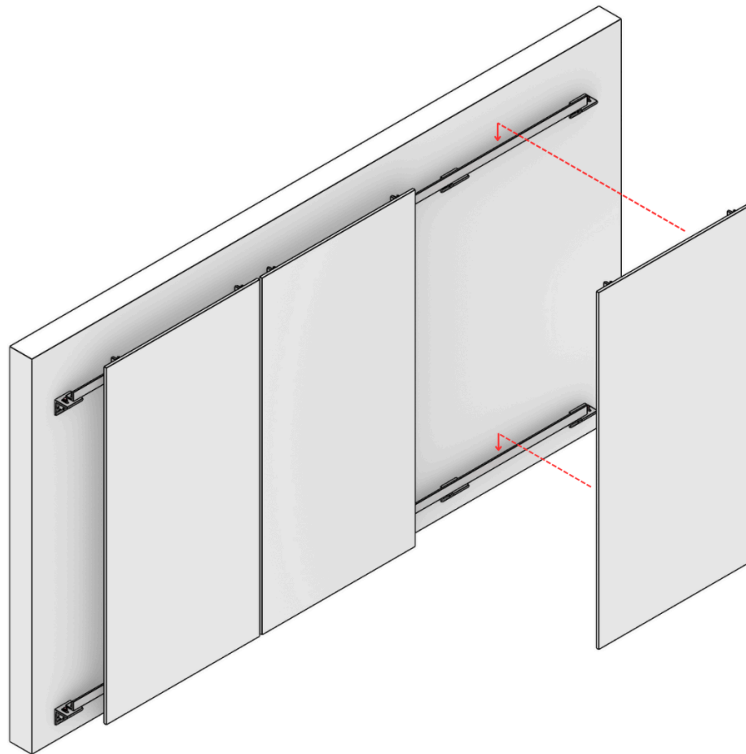


After Final Adjustment of panel, pack underneath adjustment angle using provided aluminium horseshoe packers.

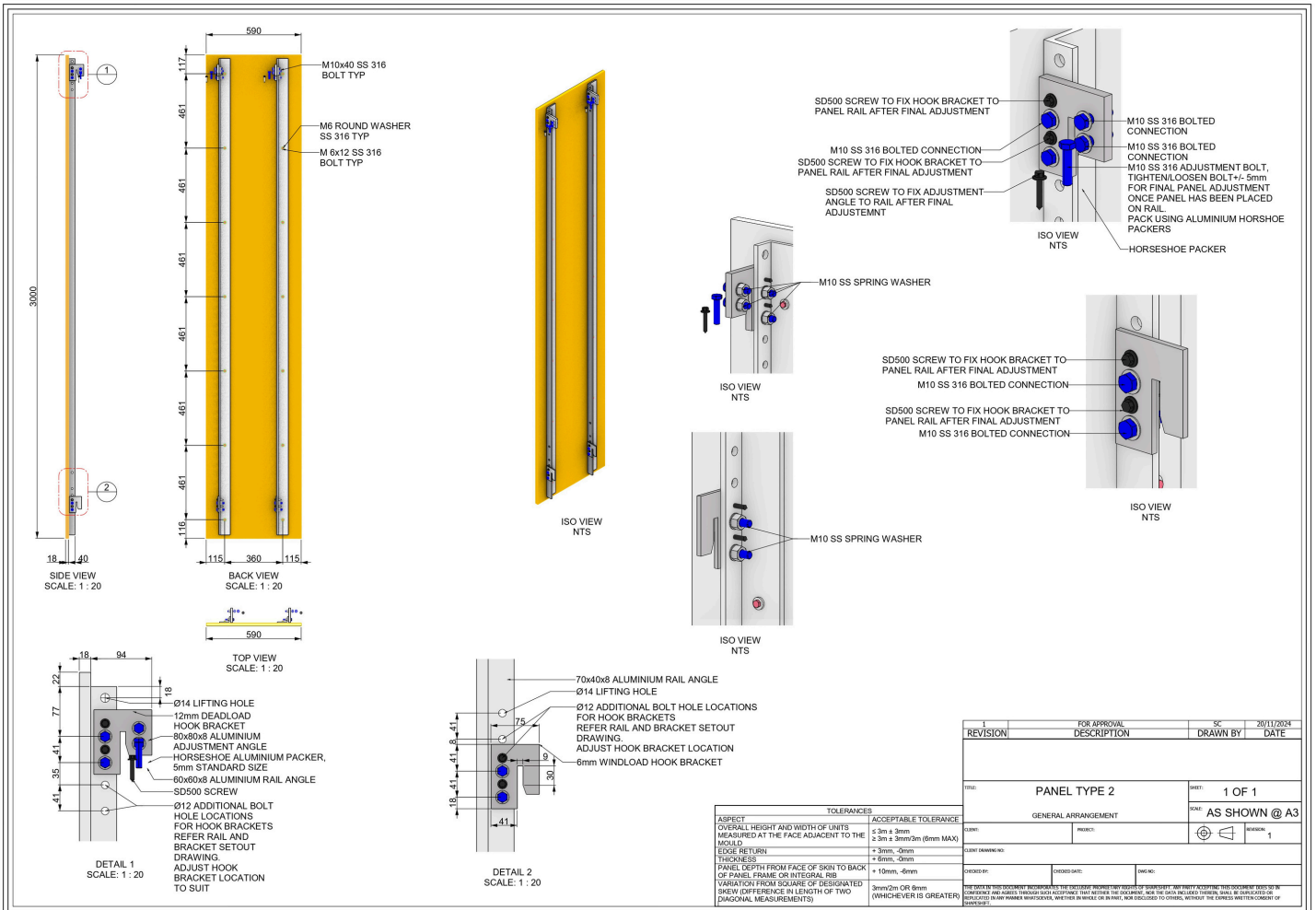
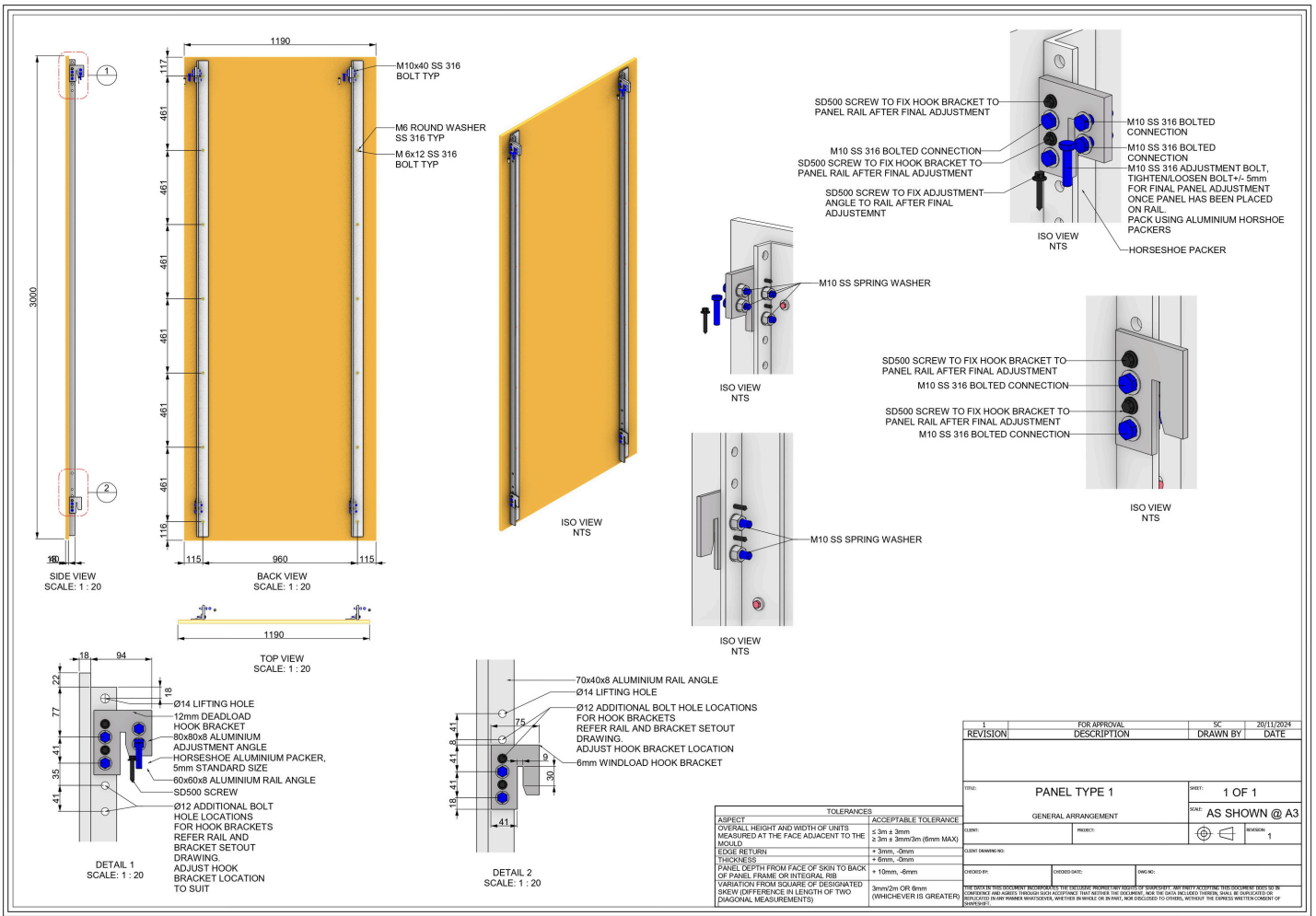


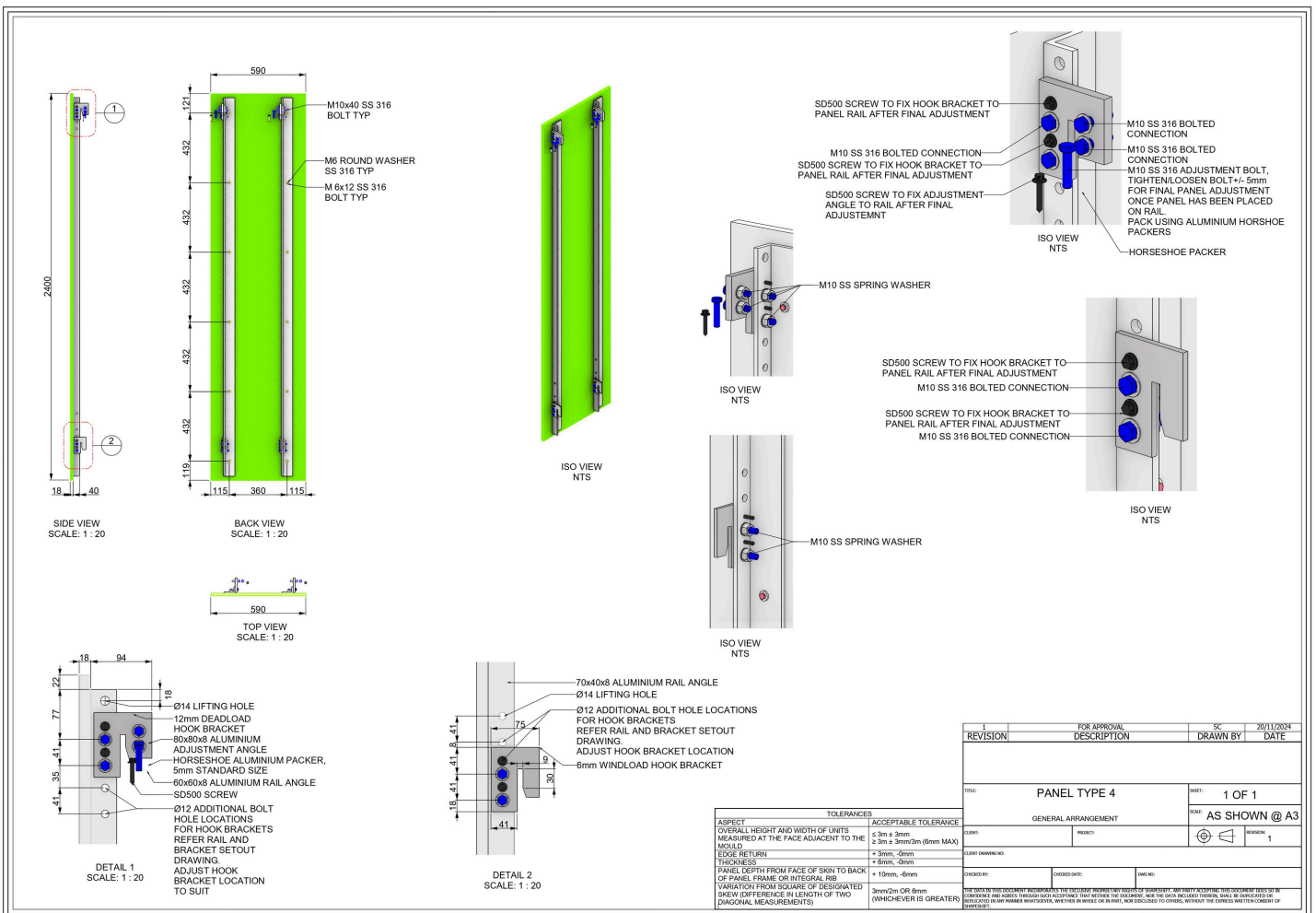
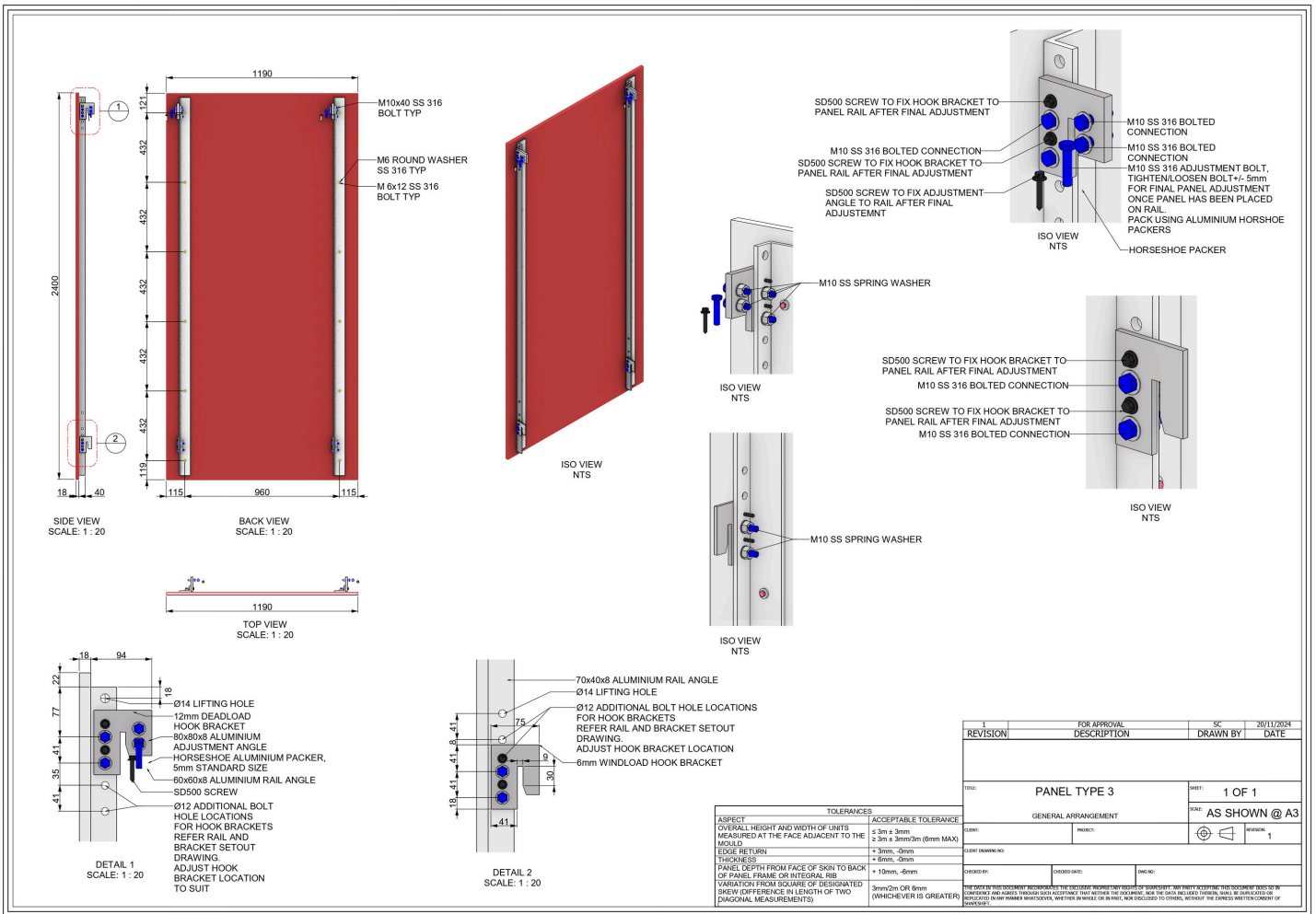
Panel is then fixed into position using Tek screws.

## FINISHED INSTALLATION









# Contact Us

Experienced Global Team,  
Reliable Partner Assurance



BUSINESS DEVELOPMENT EXECUTIVE  
**Frank Rosselli**

---

✉ [frankr@shapeshift.tech](mailto:frankr@shapeshift.tech)  
☎ +61 400 241 784  
☎ +6173666 0007  
🌐 [shapeshift.tech](http://shapeshift.tech)



SALES & MARKETING EXECUTIVE  
**Zsolt Tomo**

---

✉ [zsoltt@shapeshift.tech](mailto:zsoltt@shapeshift.tech)  
☎ +61 405 068 998  
☎ +6173666 0007  
🌐 [shapeshift.tech](http://shapeshift.tech)



BUSINESS DEVELOPMENT LEAD  
**Sam Seewan**

---

✉ [sam@shapeshift.tech](mailto:sam@shapeshift.tech)  
☎ +61 433 553 329  
☎ +6173666 0007  
🌐 [shapeshift.tech](http://shapeshift.tech)

get in touch for  
more information

