



ShapeShift Standard Product Range

# ShapeShell™-RC Facade System

LRQA  
CERTIFIED  
ISO 9001

# Bridging Creativity and Buildability

Over the past two decades, ShapeShift Technologies has built its reputation as the preferred partner for the world's leading architects, consultants, and Tier 1 builders, amassing a portfolio of over 320 landmark projects across 16 countries.

Through a vertically integrated design to manufacture process, ShapeShift delivers intelligent, sustainable, low-risk solutions by leveraging cutting-edge aerospace technology and precision manufacturing techniques at scale.



**24 Years**  
Experience

**16 Countries**





**372.000 m<sup>2</sup>**  
Installed



**320**  
Projects



## ShapeShell™ by ShapeShift

# Built for Real-World Performance

ShapeShell™-RC is designed to meet the demands of modern architecture, combining durability, fire safety, and advanced material engineering. This Glass Fibre Reinforced Concrete (GRC) solution offers a superior alternative to traditional materials, providing strength, reliability, and versatility for both architectural designs and practical installations.

Whether for bold design statements or functional applications, ShapeShell™-RC empowers architects and builders to achieve their vision with confidence. Its advanced formulation ensures consistent performance, enabling it to withstand the challenges of weather, time, and structural demands while maintaining a sleek and contemporary aesthetic.

ShapeShell™-RC is a future-ready solution, designed to exceed the needs of evolving architectural and construction requirements. Experience the next generation of GRC with ShapeShell™-RC: Built for Performance.



## ShapeShell™-RC Standard Façade Panel

### What is ShapeShell™-RC?

ShapeShell™-RC is the next reinforced concrete, specifically designed for heavy-duty architectural applications, where fire safety and durability are critical. This substrate is classified as non-combustible under the AS 1530.1 standard, making it highly suitable for projects that demand stringent fire resistance. In addition to its safety features, ShapeShell™-RC offers a range of protective coatings, including advanced fluoropolymer and gel coat finishes, which enhance both durability and aesthetic appeal.

### Product Composition

ShapeShell™-RC essentially consists of the cement or calcium silica formed by a chemical reaction of siliceous and calcareous material, reinforced by fibres. Those are:

- Portland white cement
- Reinforcing fibres
- Fine aggregate
- Mineral pigment and paint
- Functional additive
- Selected material filler providing extra smooth surface

### Production Method

GRC or GFRG is batched and blended in accordance with industry standards using the specified mix design. Its mixture is sprayed and laid into moulds designed to match the shape and dimensions shown on the approved shop drawings. Where the thickness of the GRC is 15-25 mm.

Standard ShapeShell™ RC Façade Panel Range:

## Features and Benefits

ShapeShell™-RC Façade Panel, the next generation of Glass Fibre Reinforced Concrete (GRC), is engineered to meet the demands of modern architecture. Designed for durability, fire safety, and enhanced performance, it is a reliable and versatile solution for a wide range of architectural and industrial applications. By combining advanced material technology with standardisation, ShapeShell™-RC delivers exceptional value to architects, contractors, and developers.

- **Cost Efficiency:** Economies of scale in production reduce manufacturing costs and lead times, making standard panels more affordable compared to bespoke designs.
- **Faster Project Timelines:** Ready-to-use panels simplify installation and reduce project delays, eliminating the time required for custom mould fabrication. **Enhanced**
- **Structural Performance:**
  - ShapeShell™-RC is 50% stiffer than standard GFRC, providing superior strength and rigidity.
  - It is significantly lighter, weighing 100% less than precast concrete panels, enabling easier installation and reduced structural loads.
- **Exceptional Fire Safety:**
  - Certified as non-combustible under the AS 1530.1 standard, making it ideal for projects requiring stringent fire resistance.
  - Suitable for high-rise buildings, hospitals, and schools where compliance with rigorous fire safety regulations is essential.
- **Durability and Longevity:**
  - Protective coatings such as advanced fluoropolymer and gel coat finishes resist weathering, UV exposure, and abrasion.
  - Long-lasting performance ensures the aesthetic appeal is maintained over time.
- **Standardised Options and Precision Manufacturing:**
  - Available in standard sizes, colours, and surface finishes, ShapeShell™-RC panels streamline specification and ensure design consistency.
  - Panels are batched, blended, and moulded to exacting industry standards without the need for project-specific shop drawings, making them ideal for faster project timelines.
- **Flexibility in Applications:** Standard panels are compatible with various building types and designs, offering versatility for both commercial and residential structures.
- **Improved Quality Control:** Factory-controlled production ensures consistent strength, finish, and compliance with industry standards.
- **Sustainability:** Lightweight panels reduce transport emissions and material waste, contributing to sustainable construction practices.
- **Risk Mitigation:** Predictable outcomes reduce complexities associated with bespoke designs and minimise errors during installation.

Standard ShapeShell™ RC Façade Panel Range:

## Applications

Standard ShapeShell™-RC Façade Panels are suited for a variety of architectural and industrial uses, including:

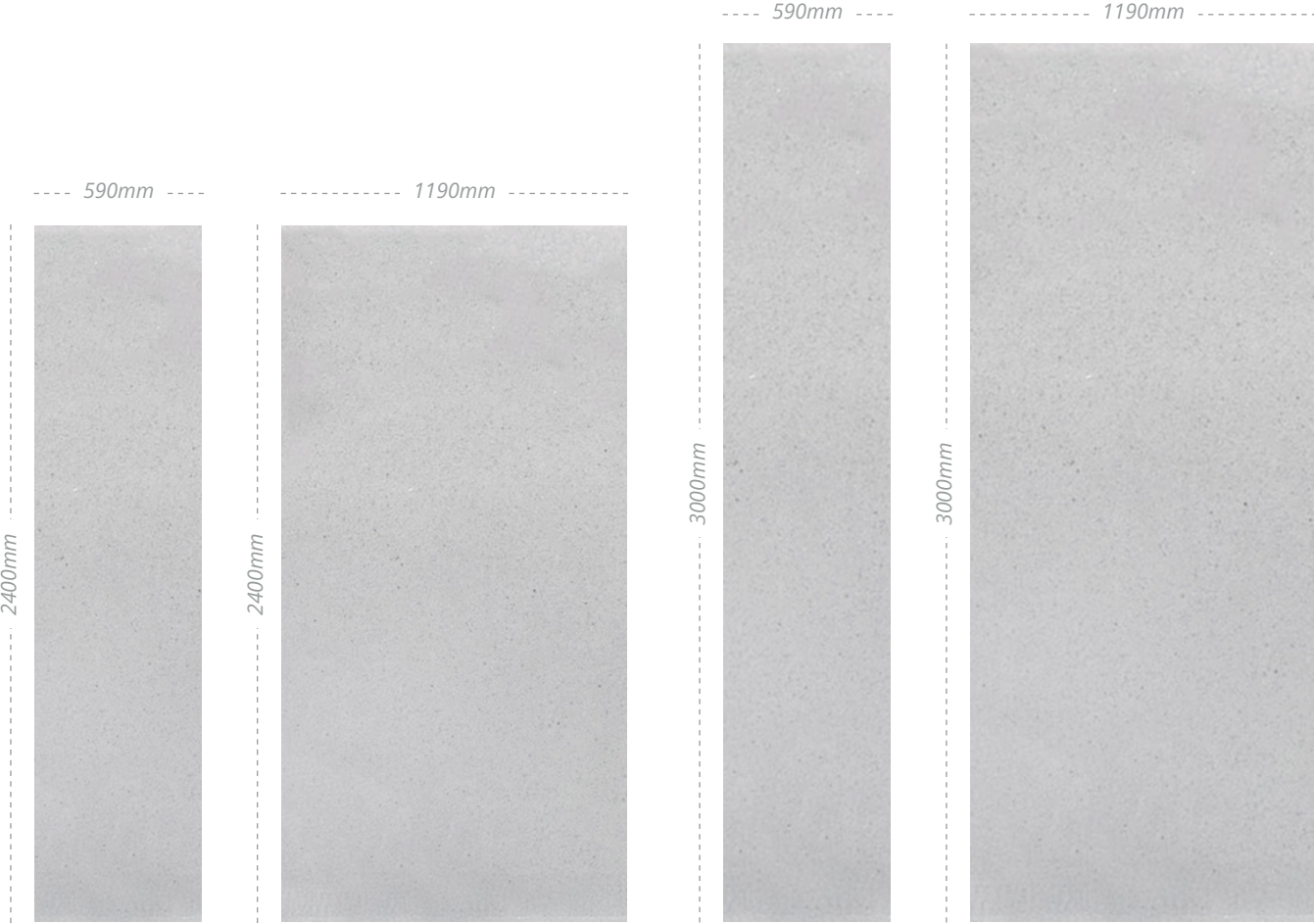
- **Façades for high-rise buildings and commercial structures:** Ideal for projects where aesthetics and performance are equally important.
- **Infrastructure requiring robust fire safety and lightweight solutions:** Perfect for bridges, tunnels, and transport hubs needing durable, compliant materials.
- **Projects prioritising sustainability:** Lightweight panels reduce material weight and optimise logistics, lowering carbon footprints.
- **Public and institutional buildings:** Schools, hospitals, and cultural centres benefit from the fire safety and durability offered by ShapeShell™ RC.
- **Residential developments:** Adds a contemporary aesthetic while meeting building code compliance and energy efficiency standards.
- **Retrofit and refurbishment projects:** Lightweight and easy-to-install panels streamline upgrading older structures without compromising structural integrity or timelines.

### Why Choose Standard ShapeShell™ RC Façade Panels?

ShapeShell™-RC Façade Panels represents a forward-thinking approach to architectural cladding. By integrating advanced coatings and leveraging precision manufacturing, it delivers a reliable and versatile solution that exceeds the limitations of traditional materials. Its innovative blend of stiffness, lightweight construction, and fire safety provides both functional and aesthetic excellence, making it a trusted choice for modern designs.



# ShapeShell™-RC Standard Panel Size



*More to Come*



# Colour & Surface Finish

ShapeShell™-RC panels can achieve a wide array of bespoke finishes & textures including:

- Standard off-form finish (i.e. smooth precast equivalent).
- Custom oxide colours/pigments.
- Acid wash finish on surface to create rough texture.
- Option to expose aggregates if required.
- Alternatively finishing of panels with our advanced ShapeShift external PVDF or internal coating system in any standard RAL colour.
- Also compatible with other custom finishes if required.
- Plus an anti-graffiti coating can be added if desired.



Low Wash



Medium Wash



Heavy Wash

# ShapeShell™-RC Panels Colour Sample



Off-form



Matte White



Terracotta Off-Form



J1132 - Jackson House



J864 - Richmond Quarter Grey



J1525 - Home Albert Park Sandstone



Koonunga Hill Light Grey



Koonunga Hill Medium Grey



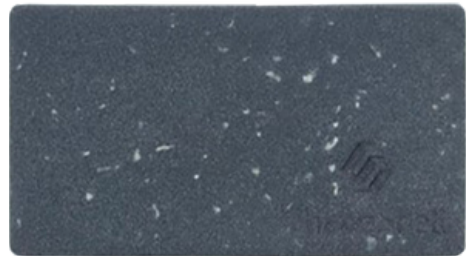
Koonunga Hill Dark Grey



J1249 - Middle Road



J993 - BNE Cross River Rail



J1385 - Brighton Grammar



Sandstone 37526 Low Wash



Sandstone 37526 Heavy Wash



Dromedary S11F3



J1525 - Home Albert Park Burgundy



Terracotta Heavy Wash



J774 - Martin Place

Wide range of colour variations



Custom matched to any reference colour or physical sample as required

# Aggregate Finish

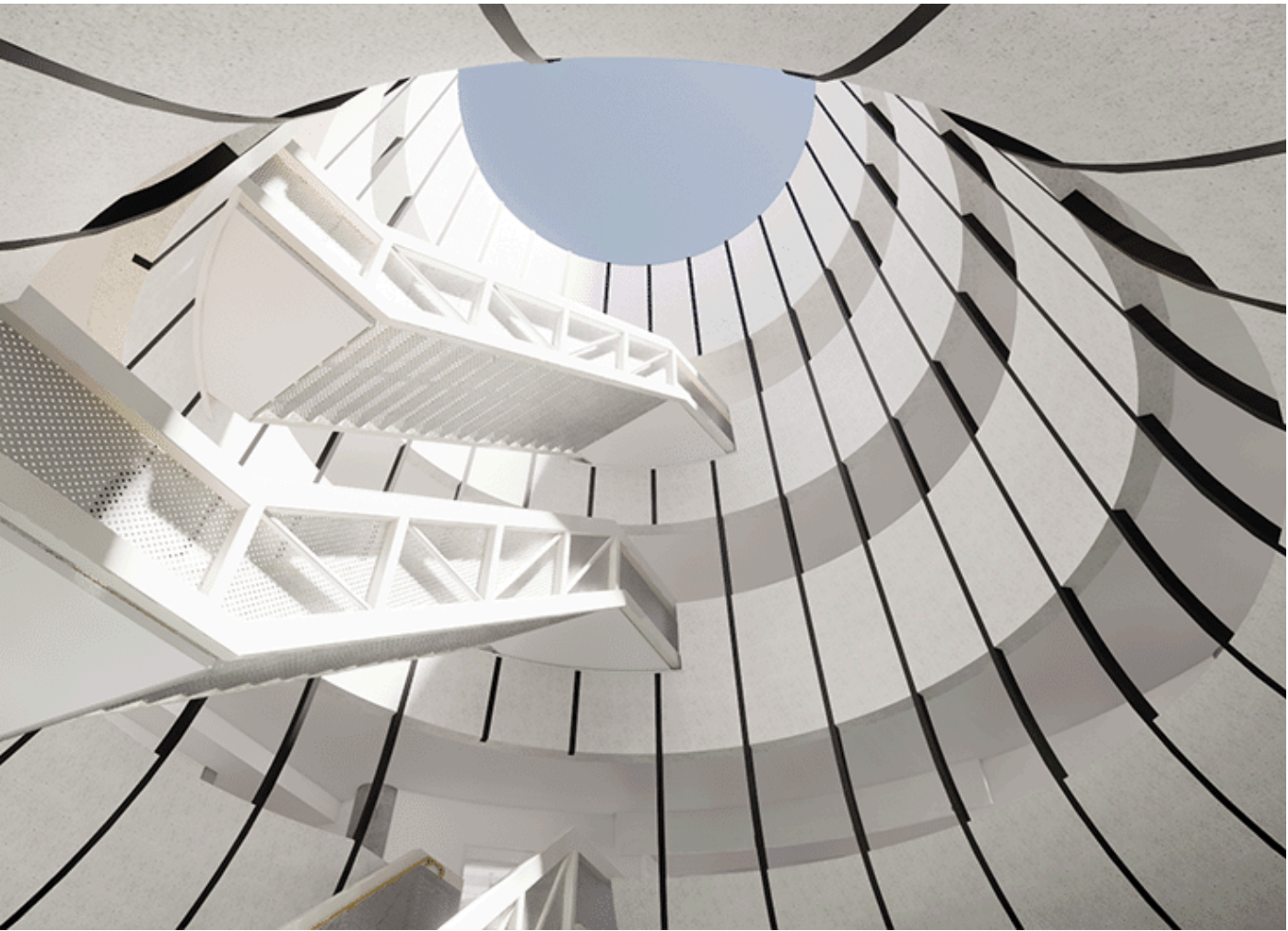
Beyond offering a wide range of colors and surface finishes, we possess extensive capabilities in combining various materials with rock aggregates. This sets us apart as we can enhance aesthetics and cater to the diverse needs of various building conditions.

It allows us to create unique and visually appealing surfaces that can withstand heavy foot traffic, makes us the ideal choice for both residential and commercial projects.

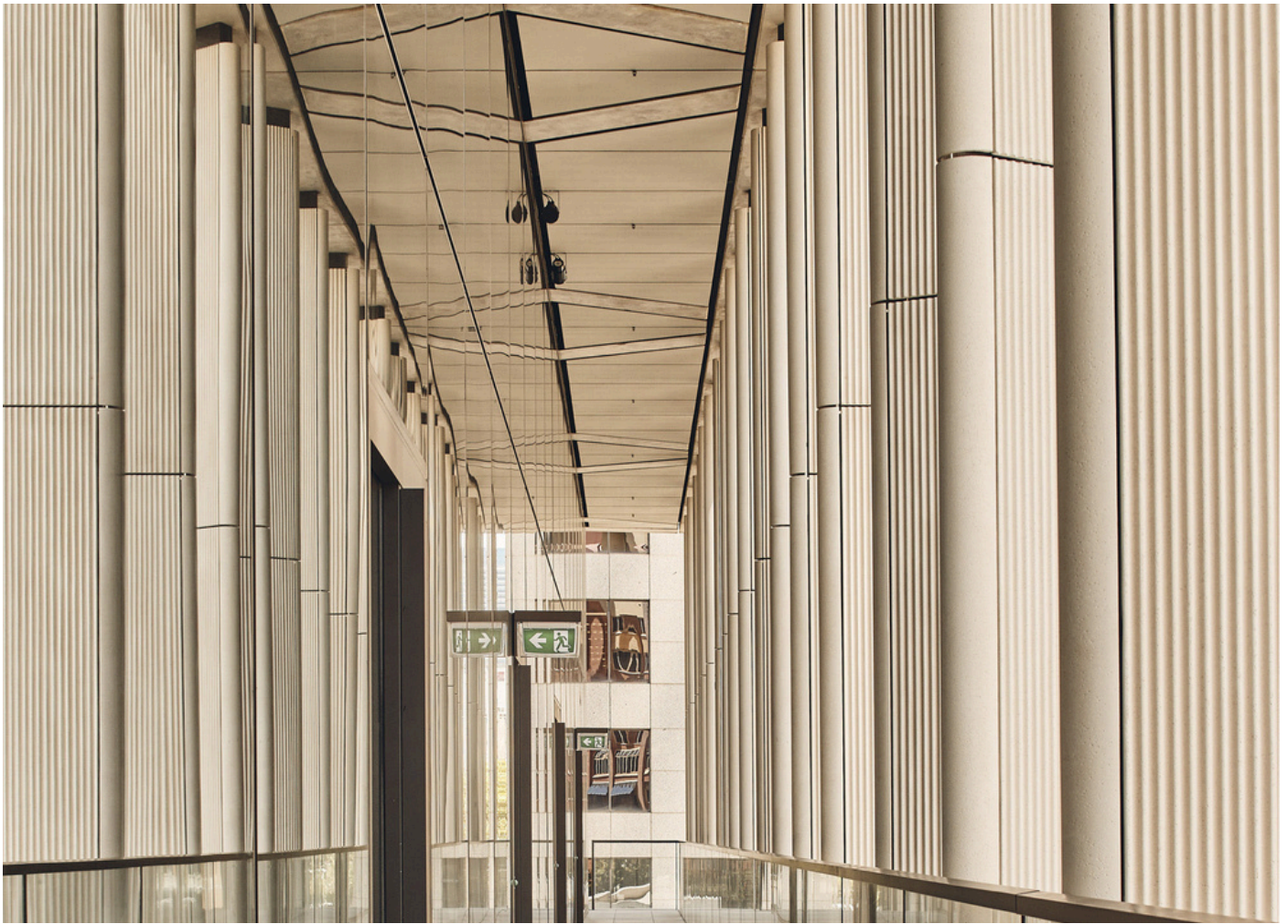


Wide Range of Aggregates

Harcourt Granite 6mm	Sunset Gold Marble 6mm	Belvidere Marble 6mm	Super Off White Marble 6mm	Padthaway Green Granite 6mm	Koonunga Hill Grey Marble 6mm
Moppa Marble 6mm	Felspar 6mm	Cudjee Marble 6mm	Riverina Granite 6mm	Calca Granite 6mm	Angaston Pink Marble 6mm
Black Granite 6mm	Crushed Stonefield 6mm	Burgundy Granite 6mm	Seafoam Marble 6mm	Sienna Granite 6mm	Keyneton Green Epidote 6mm



Brisbane Girls Grammar School. Brisbane, QLD



Sandstone  
Colour Range





Parramatta Public School. Parramatta, NSW

Standard ShapeShell™ Façade Panel Railing and Attachment:

## Attachment System Features and Benefits

The ShapeShell™ Railing and Attachment System is engineered specifically for use with the Standard ShapeShell™ RC Façade Panel Range. Designed to simplify installation, ensure structural integrity, and enhance the visual appeal of facades, this package integrates precision-engineered components and high-quality materials to meet the demands of contemporary architectural projects. (Include this system is designed to simplify installation and panel handling, attachment system helps to ensure safe & simple handling of the panels.

- **Easy Adjustment:** The system offers up to  $\pm 20\text{mm}$  of on-site adjustability, allowing for easy alignment to accommodate building tolerances. This flexibility helps minimise installation errors and ensures consistent alignment across large façade installations.
- **Durability and Corrosion Resistance:** Manufactured from aluminium and Grade 316 (SS316) stainless steel, the attachments are highly corrosion-resistant, providing superior longevity even in challenging environments, such as coastal regions or high-pollution zones. This durability ensures a longer lifespan for the façade system, minimising ongoing maintenance requirements.
- **Effective Load Transfer:** The combination of deadload and windload brackets is specifically engineered to manage both vertical and lateral forces, ensuring consistent performance in varying conditions. Unlike typical NV3 bracket systems, which are not designed for the specific demands of GRC panels, this robust system is purpose-built to effectively support their weight, delivering dependable performance throughout the building's lifecycle.
- **Ease of Installation:** The adjustment capabilities and straightforward hook-on method allow for safe and efficient installation, significantly reducing both time and complexity.
- **Concealed Fixings:** Integral to the system, concealed fixings minimise the visual impact of structural components. This ensures the façade's architectural design remains the focal point, creating uninterrupted and seamless surfaces.



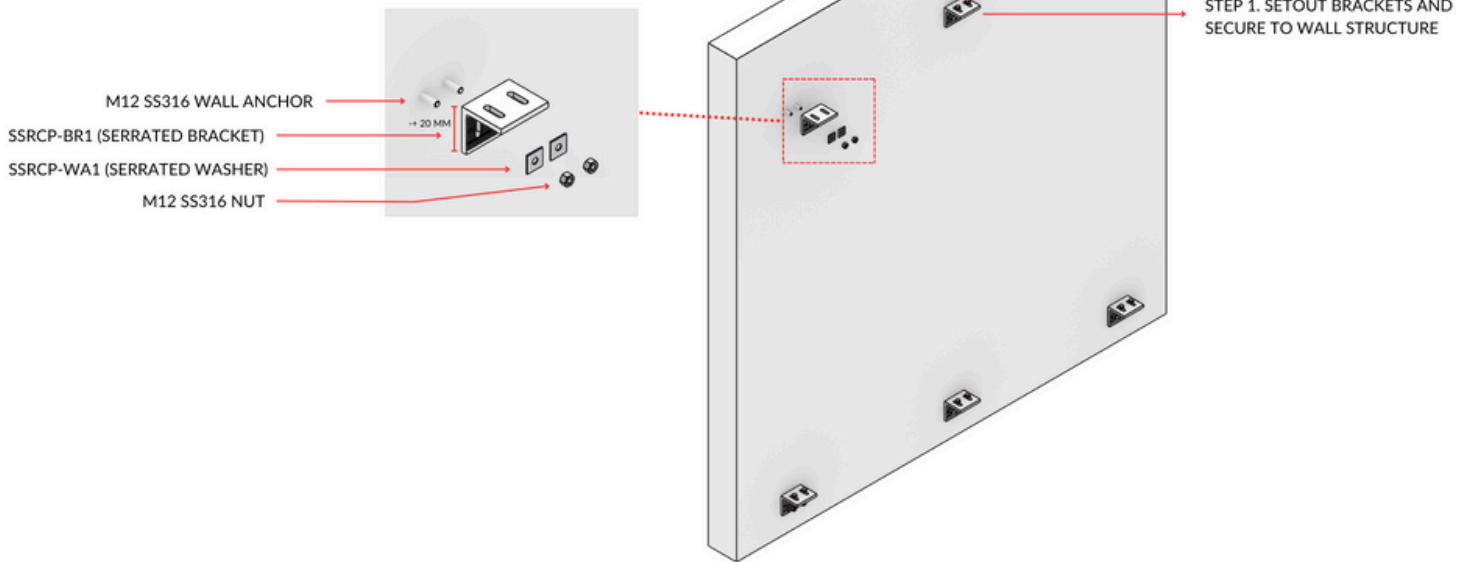
## Why Choose the Standard ShapeShell™ Façade Panel Railing and Attachment System?

- **Surface Finish Options and Quality:** ShapeShell™ RC panels with stone and quartz inclusions incorporate actual stones into the panel structure. This unique composition gives each panel a distinctive appearance, ensuring every project has a one-of-a-kind look while meeting architectural requirements and aesthetic goals.
- **Speed and Ease of Installation:** Features such as the straightforward hook-on method and adjustable bracket system streamline installation, reducing time and labour costs while maintaining precision.
- **Risk Reduction:** Engineered to reduce installation complexities, the system minimises potential errors through precise alignment features and robust load management, ensuring consistent and reliable outcomes.
- **Adjustable Bracket System:**
  - M10 adjustment bolts and aluminium horseshoe packers facilitate precise panel positioning, ensuring seamless alignment.
  - These features provide the accuracy required for complex façade designs and challenging site conditions.
- **High-Quality Components:**
  - All components are crafted from Grade 316 stainless steel, selected for its corrosion resistance and mechanical strength.
  - Ideal for harsh environmental conditions, including marine and industrial applications.
- **Comprehensive Load Management:**
  - Utilises deadload and windload hooks to effectively manage structural forces.
  - This dual-function approach ensures stability, especially in high-rise or wind-exposed projects.

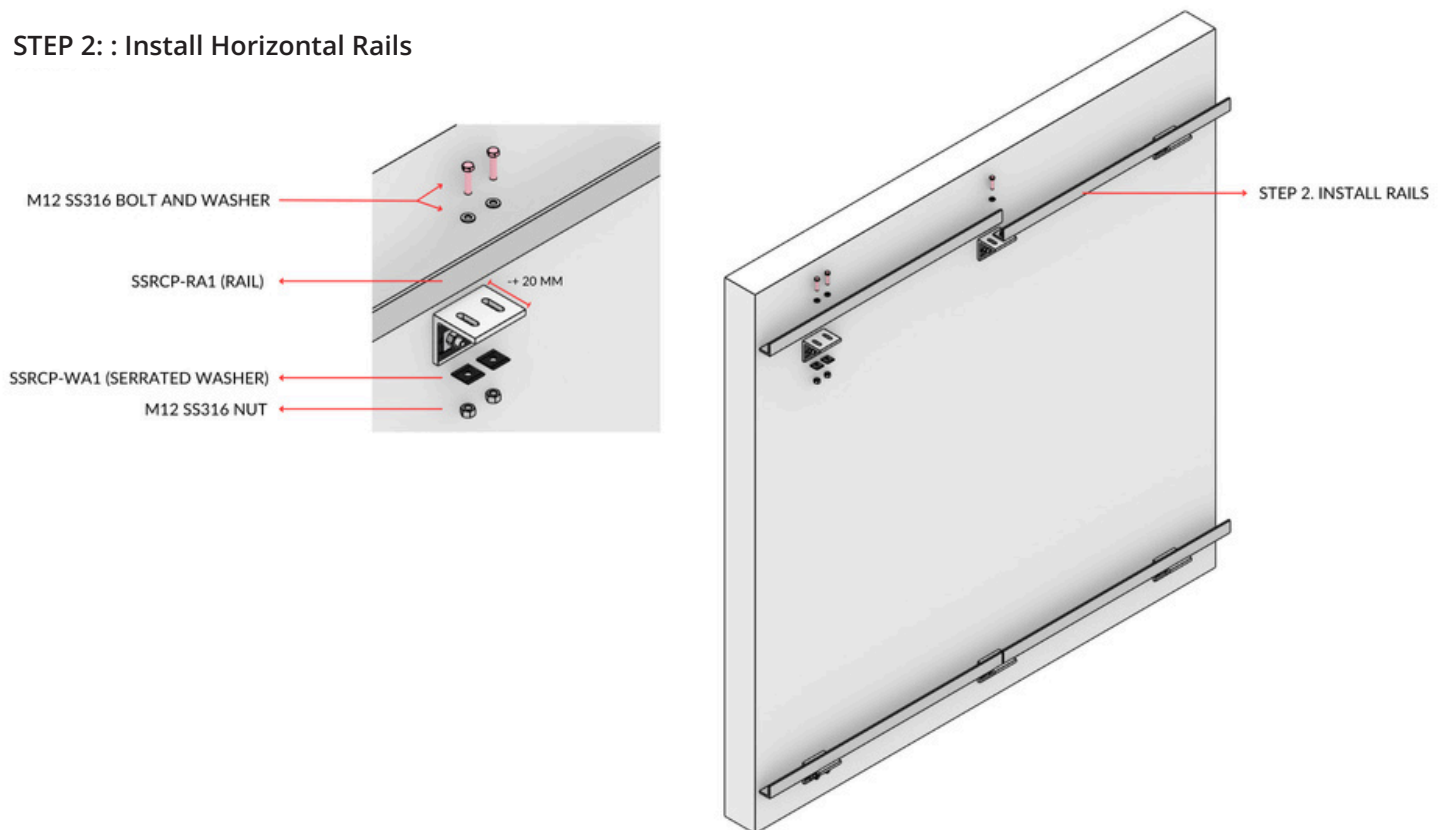
The ShapeShell™ Railing and Attachment System elevates the Standard ShapeShell™ RC Façade Panel Range by providing an innovative, reliable, and straightforward mounting solution. With a focus on precision, durability, and visual appeal, this system helps transform architectural visions into robust, high-quality facades, meeting the demands of modern construction projects with efficiency and ease.

# Panel Installation Guideline

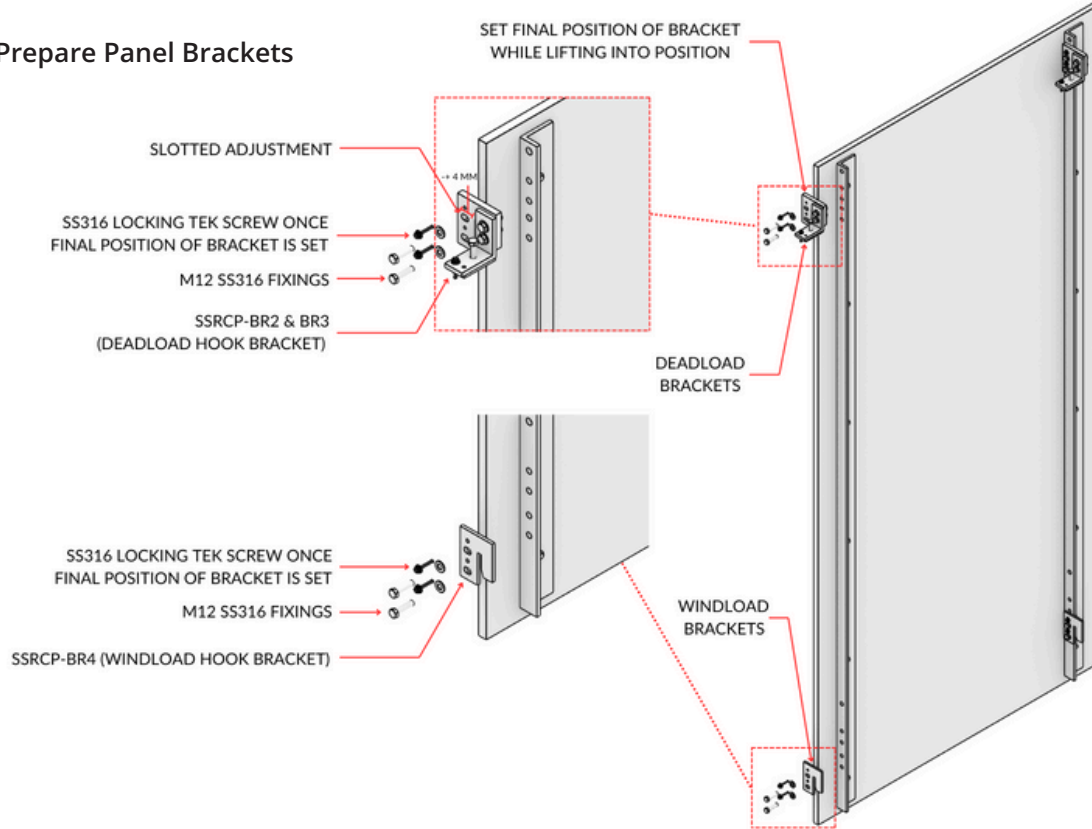
## STEP 1: Position & Install Wall Brackets



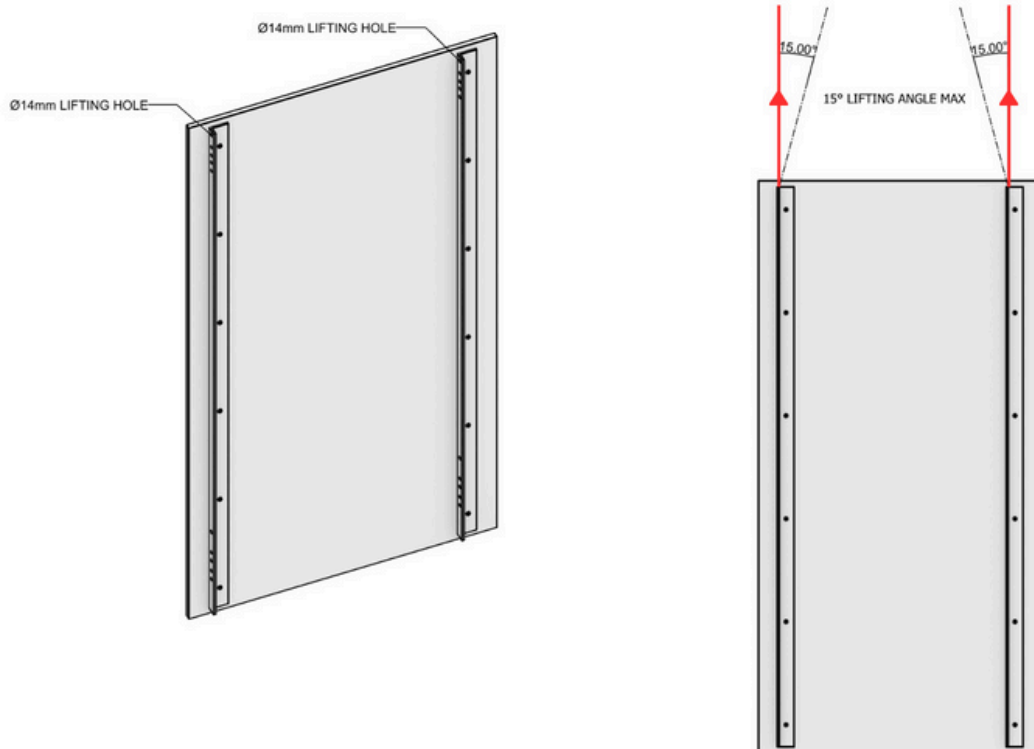
## STEP 2: : Install Horizontal Rails



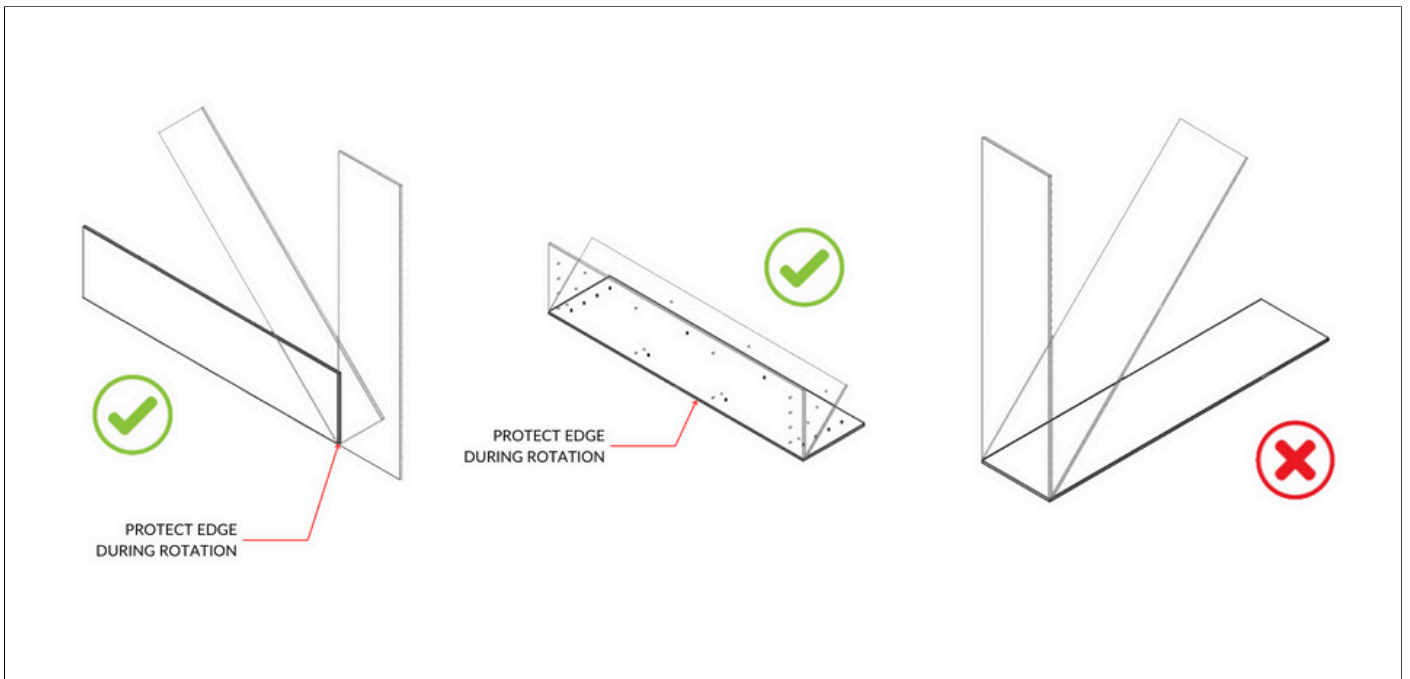
### STEP 3: Prepare Panel Brackets



### STEP 4a: Lifting The Panels

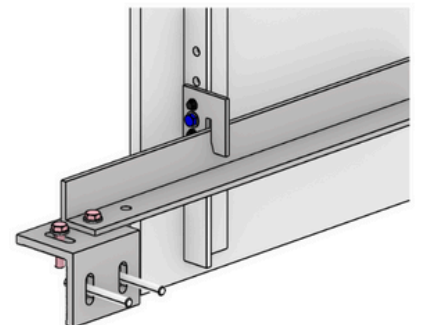
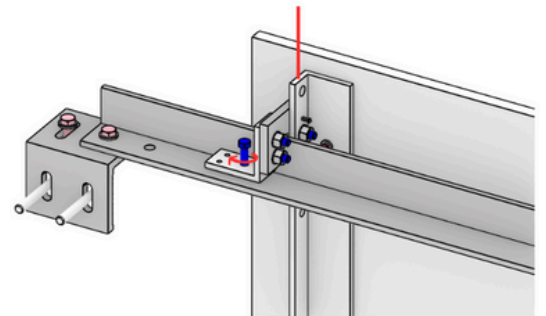
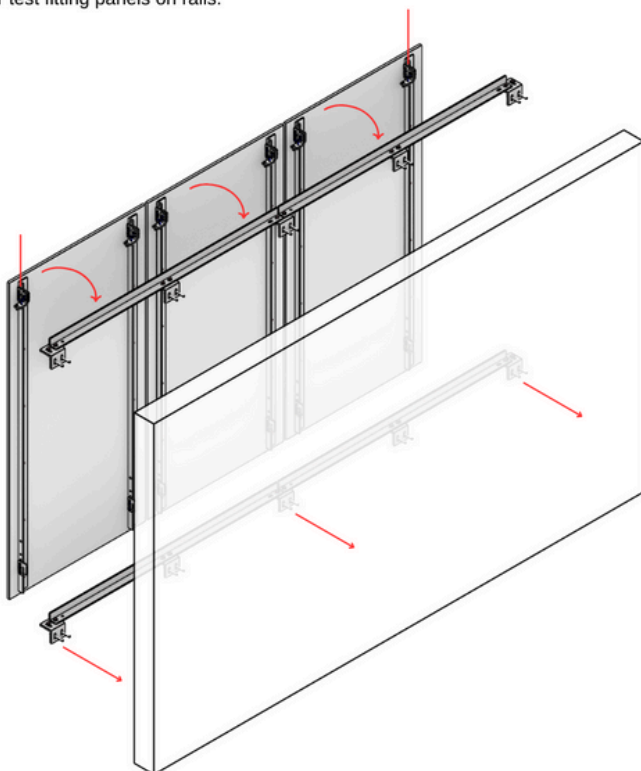


## STEP 4b: Safe Rotation & Panel Handling Guidelines

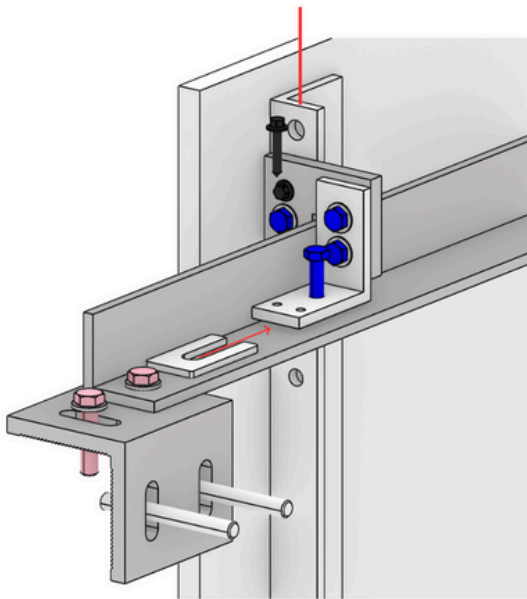


## STEP 5: Install Panels into Rails

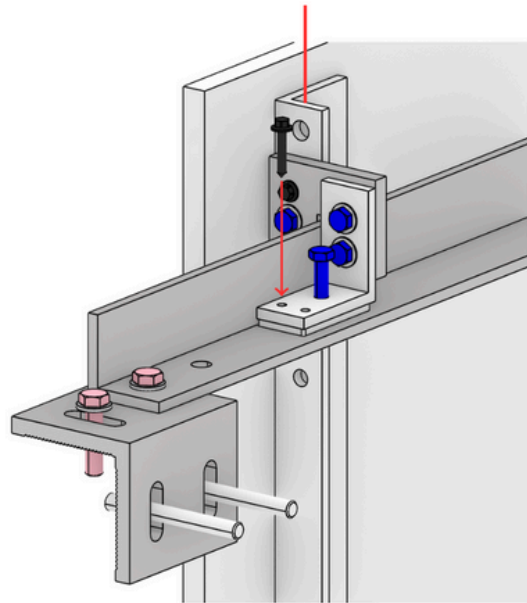
Panel Lifted into position. Tek screws are used to fix hook brackets to Aluminium panel rails after final adjustment. They can be installed before lifting the panel OR after test fitting panels on rails.



**STEP 6: Adjust heights and lock off panels**

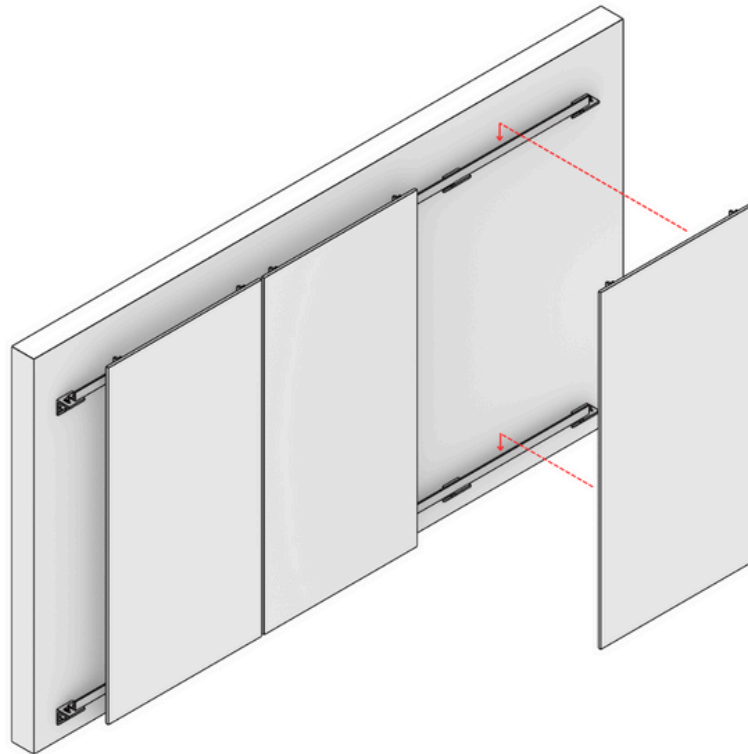


After Final Adjustment of panel, pack underneath adjustment angle using provided aluminium horseshoe packers.



Panel is then fixed into position using Tek screws.

**FINISHED INSTALLATION**



# Project Showcase



## Powerhouse Museum Parramatta

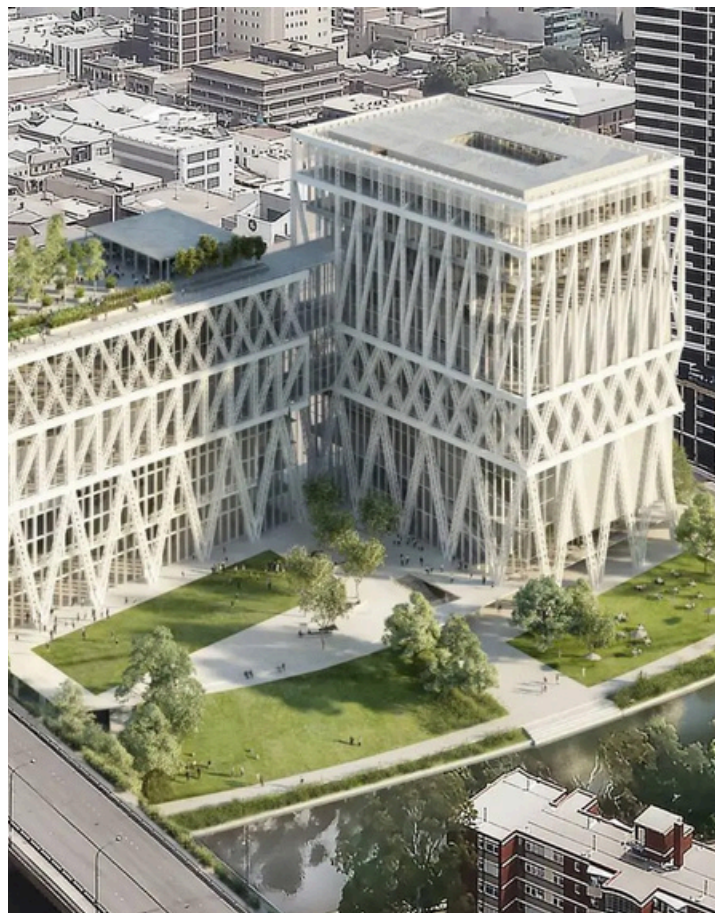
Parramatta, NSW

Architect : Genton

Builder : Lendlease

Application : Facade

Responsibility: Design, engineer & manufacture of ShapeShell™-RC facade panel



## Parramatta Public School

Parramatta, NSW

Architect: Grimshaw

Builder: Watpac

Application: Façade Panels

Building Surveyor: Veris / Total Surveying Solutions

Responsibility: Design, engineer & manufacture of ShapeShell™-RC facade panel



# One Sydney Harbour

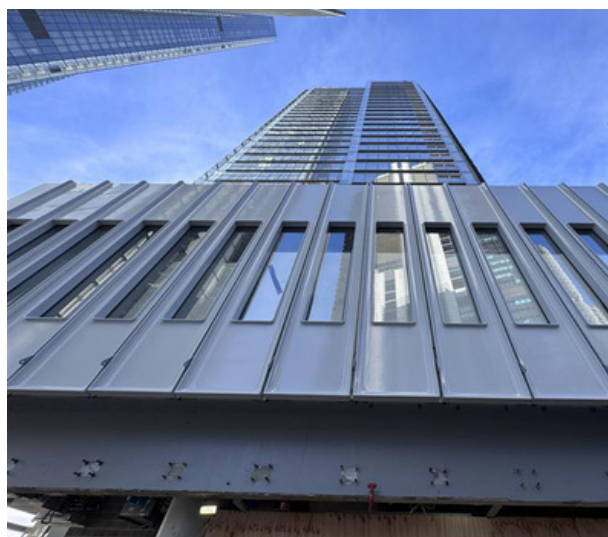
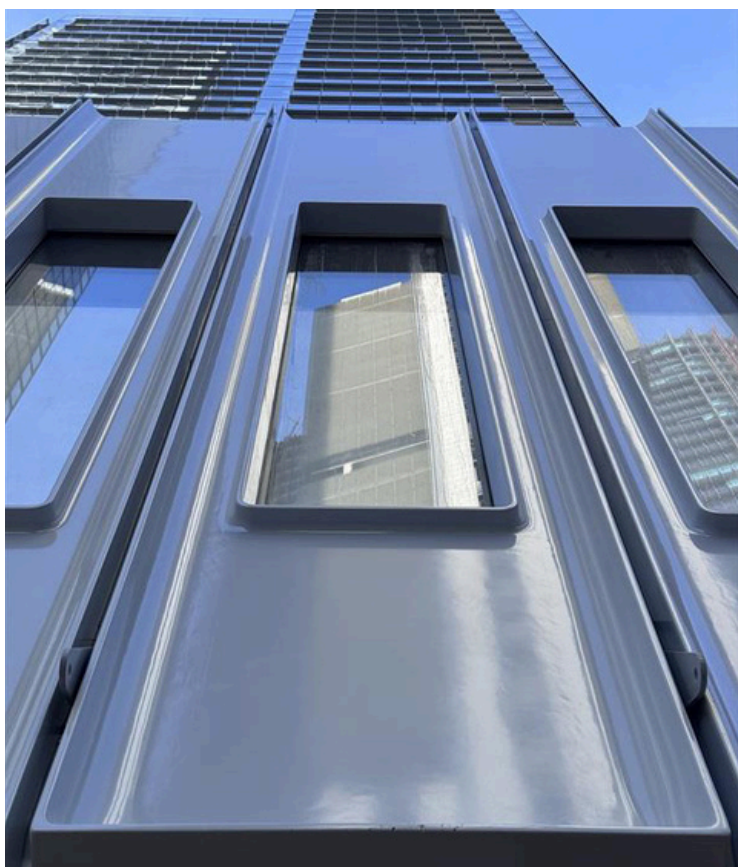
Sydney, NSW

Architect: Renzo Piano

Builder: Lendlease

Application: Façade panels (72 floors)

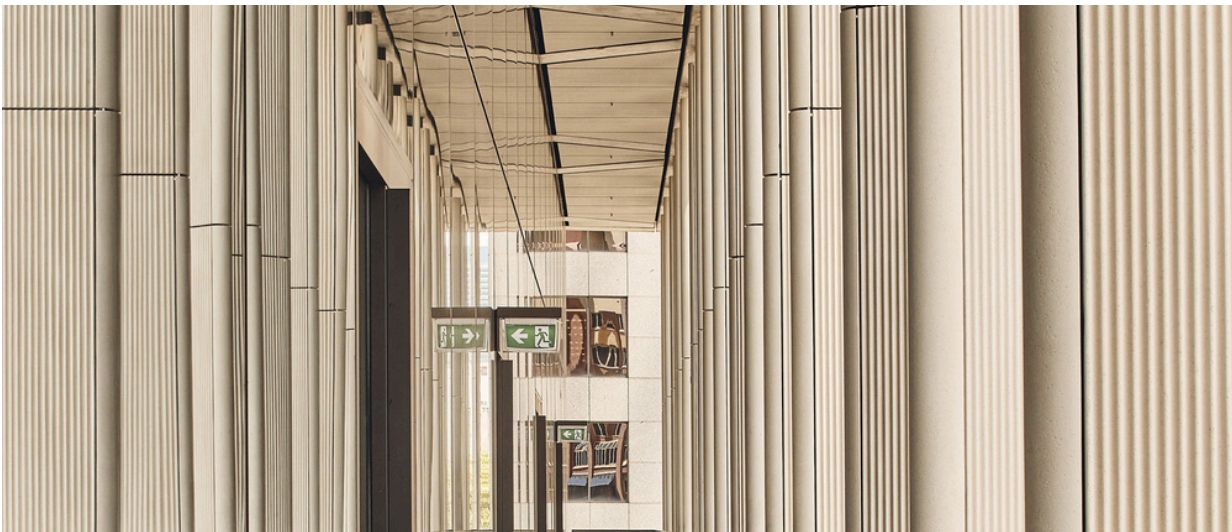
Responsibility: Design, engineer & manufacture of ShapeShell™-RC facade panel





**Polycentre**  
Sydney, NSW

Architect: Grimshaw Architects  
Builder: Watpac  
Application: Blades spanning two floors (circa 1,200 m<sup>2</sup>)  
Responsibility: Design, engineer & manufacture of ShapeShell™-RC facade panel





## Brisbane Girls Grammar Science Learning Centre

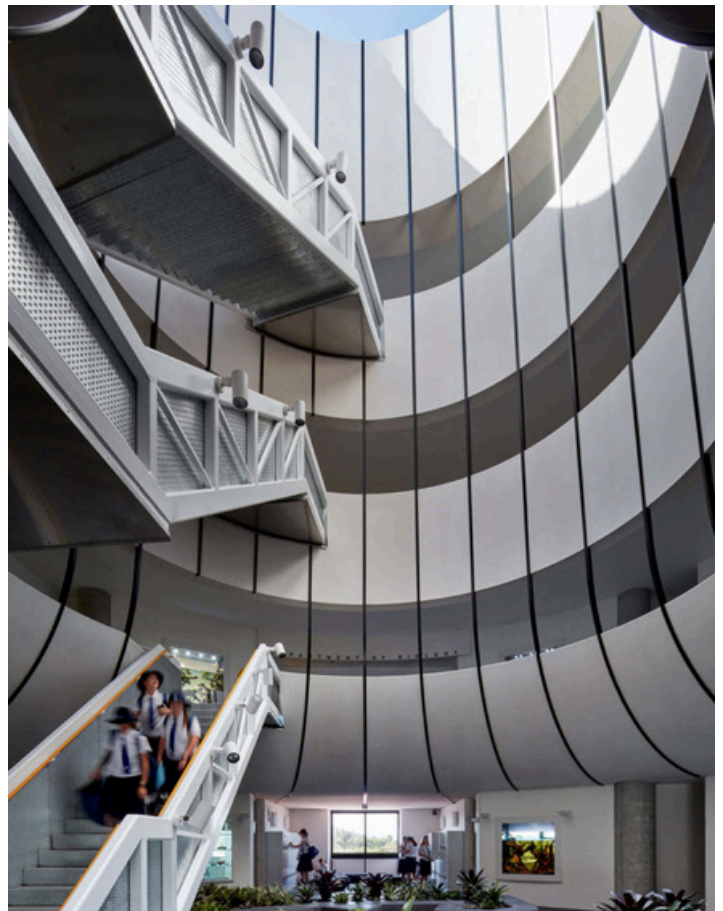
Brisbane, QLD

Architect: M3architecture

Builder: Lendlease

Application: Central Void & Soffit Panels  
(over 100 double curvature panels)

Responsibility: Design, engineer & manufacture of ShapeShell™-RC facade panel



## Victorian Pride Centre

St. Kilda, VIC

Architect: BAU

Builder: Hansen Yuncken

Application: Roof Vaults

Responsibility: Design, engineer & manufacture of ShapeShell™-RC facade panel





## Marvel Stadium

Melbourne, VIC

Architect: GRIMSHAW Architects

Builder / Contractor: John Holland

Façade Engineer: Aurecon

Application : Façade (226 panels)

Responsibility: Design, engineer & manufacture of ShapeShell™-RC facade panel



**Blacktown Exercise Sports and Technology Hub** Rooty Hill, NSW

Architect : ARM  
Builder : Buildcorp  
Application : Facade  
Responsibility: Design, engineer & manufacture of ShapeShell™-RC facade panel



# Contact Us

Experienced Global Team,  
Reliable Partner Assurance



BUSINESS DEVELOPMENT EXECUTIVE  
**Frank Rosselli**

---

✉ [frankr@shapeshift.tech](mailto:frankr@shapeshift.tech)  
☎ +61 400 241 784  
☎ +6173666 0007  
🌐 [shapeshift.tech](http://shapeshift.tech)



SALES & MARKETING EXECUTIVE  
**Zsolt Tomo**

---

✉ [zsoltt@shapeshift.tech](mailto:zsoltt@shapeshift.tech)  
☎ +61 405 068 998  
☎ +6173666 0007  
🌐 [shapeshift.tech](http://shapeshift.tech)



BUSINESS DEVELOPMENT LEAD  
**Sam Seewan**

---

✉ [sam@shapeshift.tech](mailto:sam@shapeshift.tech)  
☎ +61 433 553 329  
☎ +6173666 0007  
🌐 [shapeshift.tech](http://shapeshift.tech)

get in touch for  
more information

